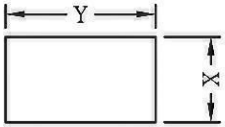
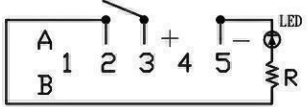
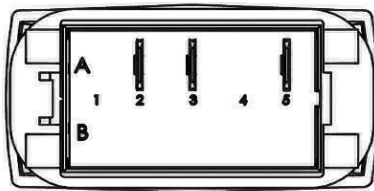
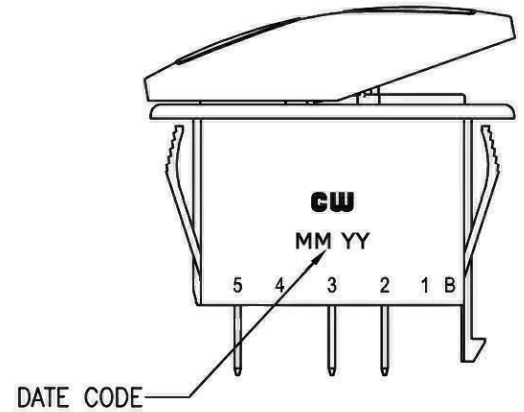
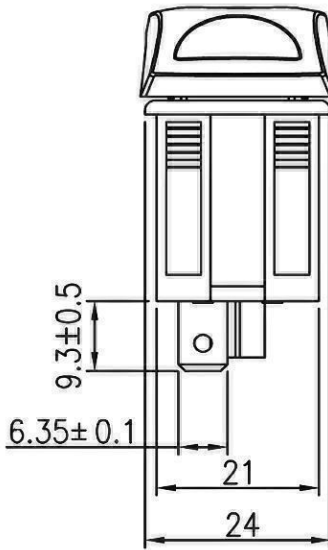
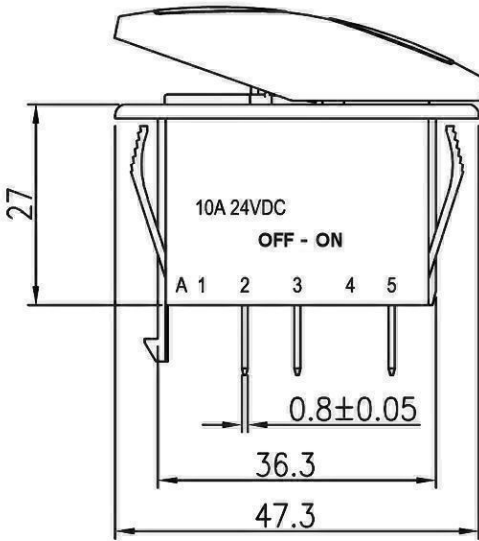
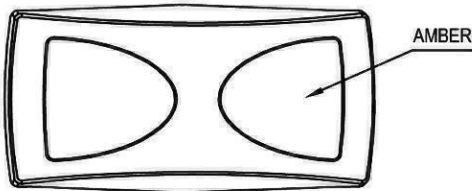


THIS INFORMATION IS CONFIDENTIAL AND PROPRIETARY TO CW INDUSTRIES INCORPORATED AND ITS AFFILIATES. IT MAY NOT BE DISCLOSED TO ANYONE, OTHER THAN CW INDUSTRIES PERSONNEL, WITHOUT WRITTEN AUTHORIZATION FROM CW INDUSTRIES INCORPORATED, SOUTHAMPTON, PENNSYLVANIA USA.

Rating	10A 24VDC											
Contact Resistance	50m ohm Max.											
Insulation Resistance	DC 500V 100M ohm Min.											
Dielectric Strength	AC 1500V 1 minute											
Operation Temperature	-25°~85°											
Switch Function	3P SPST OFF-ON Lamp Dependent	<table border="1"> <tr> <th>Thickness(mm)</th> <th>X(mm)</th> <th>Y(mm)</th> </tr> <tr> <td>0.75~1.25</td> <td rowspan="3">21.0^{+0.3}₀</td> <td>36.6+0.1</td> </tr> <tr> <td>1.25~2.0</td> <td>36.8+0.1</td> </tr> <tr> <td>2.0~3.0</td> <td>37.0+0.1</td> </tr> </table>	Thickness(mm)	X(mm)	Y(mm)	0.75~1.25	21.0 ^{+0.3} ₀	36.6+0.1	1.25~2.0	36.8+0.1	2.0~3.0	37.0+0.1
Thickness(mm)	X(mm)	Y(mm)										
0.75~1.25	21.0 ^{+0.3} ₀	36.6+0.1										
1.25~2.0		36.8+0.1										
2.0~3.0		37.0+0.1										
Lamp Type	LED 24VDC w/resistor											

Material:

1. Frame: Nylon-66(94V-2) - Black
 Actuator: Nylon-66+33%GF - Black
 Lens: PC - Black / Amber
 Terminal: Silver plated copper
 (excepted lamp terminal)
 Printed: None
2. Waterproof: "IP-67".



TOLERANCE: ±0.3mm UNLESS OTHERWISE SPECIFIED.

RoHS Compliant

3	Added Dependent to Function & Lamp Type. 12/19/2011.
2	Changed IP-66 to IP-67. 12/13/10
1	Switch Function OFF-ON was ON-OFF. 8/24/10.

CW INDUSTRIES
 Southampton, Pa. 18966
 Tel 215.355.7080/www.cwind.com

Date Drawn: 5/20/10

Rev. 3

Unit: mm

Checked By: *G. Gold*

Title: **ROCKER SWITCH**

CW P/N: **GRB292A201BBNA2**