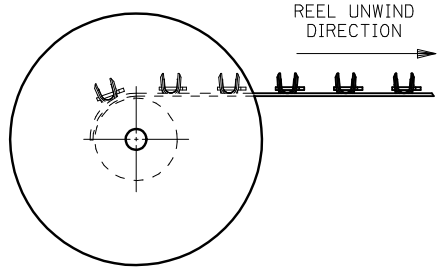
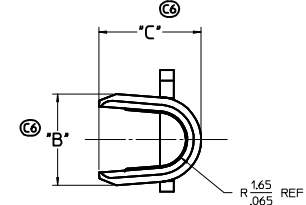
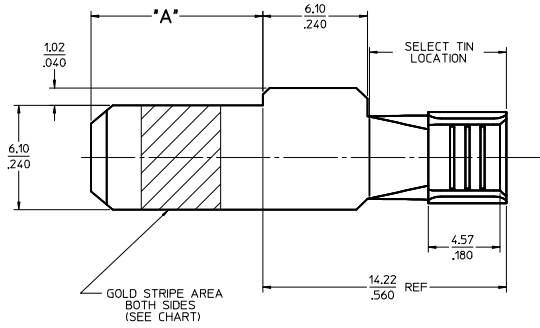
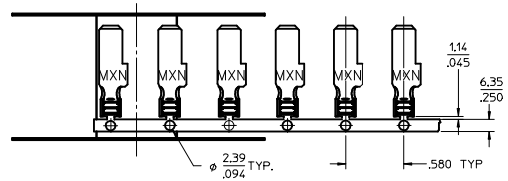
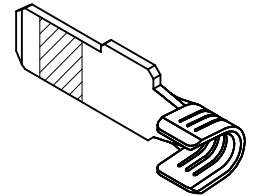


PART NUMBER	PLATING	RECOMMENDED WIRE SIZE	DIM "A" BLADE LENGTH	DIM "B" WIDTH	DIM "C" HEIGHT	RECOMMENDED CRIMP APPLICATOR	PRODUCT STATUS
44262-6520	30μ INCHES SELECT GOLD STRIPE OVER 50μ INCHES NICKEL OVERALL WITH 80-160μ INCHES SELECT TIN	8 AWG (2) 12 AWG	10.03/.395	N/A	N/A	63832-6300	NOT TOOLED
44262-6521			11.56/.455				
44262-6522			13.08/.515				
44262-6310	80-160μ INCHES TIN OVERALL OVER 50μ INCHES NICKEL OVERALL	10-12 AWG	10.03/.395	5.33+-.025 .210+-.010	5.97+-.050 .235+-.020	63832-6000	TOOLED
44262-6311			11.56/.455				
44262-6312			13.08/.515				
44262-6320	30μ INCHES SELECT GOLD STRIPE OVER 50μ INCHES NICKEL OVERALL WITH 80-160μ INCHES SELECT TIN	(2) 14 AWG	10.03/.395	5.21+-.050 .205+-.020	63832-6100		
44262-6321			11.56/.455				
44262-6322			13.08/.515				
44262-6420	30μ INCHES SELECT GOLD STRIPE OVER 50μ INCHES NICKEL OVERALL WITH 80-160μ INCHES SELECT TIN	14-16 AWG	10.03/.395	5.21+-.050 .205+-.020	63832-6100		
44262-6421			(2) 16 AWG				
44262-6422			(2) 18 AWG				

- NOTES:
- MATERIAL: COPPER ALLOY .032 IN THICK
 - FINISH: PER MOLEX PLATING SPECIFICATION ES-88 - SEE CHART
 - SEE CHART FOR CRIMP APPLICATOR NUMBER
 - FOR CRIMP TOOLING CONTACT MOLEX OR VISIT THE MOLEX WEBSITE AT WWW.MOLEX.COM
 - STD PACKAGE SIZE: 2,500 PARTS/REEL
 - SEE PRODUCT SPECIFICATION: PS-44262-001 FOR MORE INFORMATION.
 - PARTS ARE RoHS COMPLIANT
 - THIS PART MATES WITH RECEPTACLE (FEMALE) POWER CONTACT 44262-43** (SEE SD-44262-100)
 - FOR CRIMP SET UP INFORMATION SEE MOLEX APPLICATION DOCUMENT:
 - 8 AWG - ATS-638326300
 - 10/12 AWG - ATS-638326000
 - 14/16 AWG - ATS-638326100



ADD 3 TIN P/N'S ELC NO: C8 DRAWN: JSCHAFER CHKD: APPR:	QUALITY SYMBOLS ∇=0 ∇=0 ∇=0	GENERAL TOLERANCES (UNLESS SPECIFIED) <table border="1"> <thead> <tr> <th></th> <th>mm</th> <th>INCH</th> </tr> </thead> <tbody> <tr> <td>4 PLACES</td> <td>±.010</td> <td>±.0004</td> </tr> <tr> <td>3 PLACES</td> <td>±.010</td> <td>±.0004</td> </tr> <tr> <td>2 PLACES</td> <td>±0.25</td> <td>±.010</td> </tr> <tr> <td>1 PLACE</td> <td>±0.25</td> <td>±.010</td> </tr> </tbody> </table> ANGULAR ±1/2° DRAFT WHERE APPLICABLE MUST REMAIN WITHIN DIMENSIONS		mm	INCH	4 PLACES	±.010	±.0004	3 PLACES	±.010	±.0004	2 PLACES	±0.25	±.010	1 PLACE	±0.25	±.010	DIMENSION STYLE MM/IN SCALE 5:1 DESIGN UNITS INCH THIRD ANGLE PROJECTION	DRAWN BY BKOSTIC DATE 2006/11/14 CHECKED BY BKOSTIC DATE 2006/11/14 APPROVED BY APATEL DATE 2006/11/14	TITLE TERMINAL - BLADE POWER TERMINAL MOLEX INCORPORATED DOCUMENT NO. SD-44262-026 SHEET NO. 1 OF 1
		mm	INCH																	
	4 PLACES	±.010	±.0004																	
	3 PLACES	±.010	±.0004																	
2 PLACES	±0.25	±.010																		
1 PLACE	±0.25	±.010																		
MATERIAL NO. SEE CHART		THIS DRAWING CONTAINS INFORMATION THAT IS PROPRIETARY TO MOLEX INCORPORATED AND SHOULD NOT BE USED WITHOUT WRITTEN PERMISSION																		