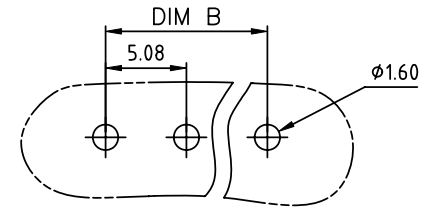
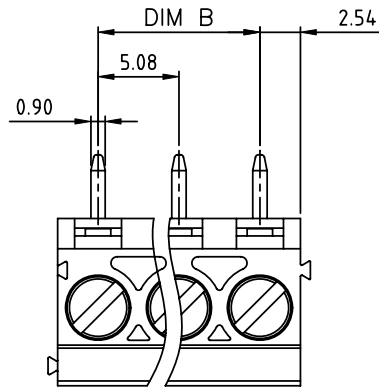
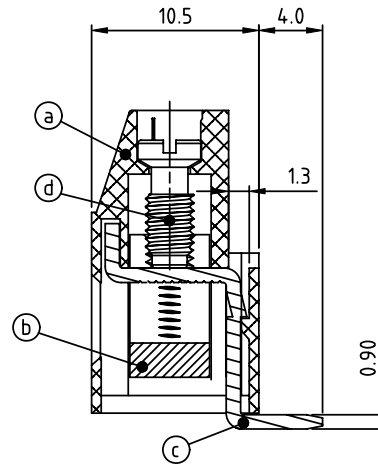
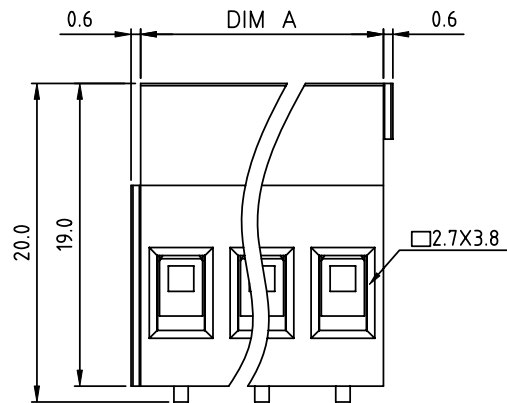


PRODUCT NUMBER	PITCH
VJxx21x300J0G	5.08mm



RECOMMENDED P.C.B LAYOUT  
TOP VIEW



Material:

- Item(a) Terminal housing: Thermoplastic (UL 94V-0)
- Item(b) Clamp: Brass Ni plated
- Item(c) Solder pin: Brass Tin plated
- Item(d) Terminal screw: Steel Zinc plating"- "slot type

- |  |       |                        |
|--|-------|------------------------|
| Electrical                               | cULus | VDE                    |
| ● Voltage rating: 300VAC                 |       | 450V                   |
| ● Current rating: 20A                    |       | 24A                    |
| ● Wire range :                           |       | 0.2-2.5mm <sup>2</sup> |
| ● Solid wire(AWG): 12-30                 |       |                        |
| ● Stranded wire(AWG): 12-30              |       |                        |
| ● Torque: 3.5 Lb-in                      |       | 0.5 N.m                |
| ● Screw: M3                              |       |                        |
| ● Wire strip length: 6-7mm               |       |                        |
| ● Withstanding Voltage: 1.6KV            |       | 2.5KV                  |
| ● Operating temperature: -40°C to +115°C |       |                        |
| ● Soldering temperature: 260°C±5°C/5 Sec |       |                        |
| ● Safety Approval:                       |       |                        |

PART NO.: VJ xx 2 1 x 3 00J0 G

Dimension A&B

DIM A	Nx5.08
DIM B	(N-1)x5.08

N=Number of poles

Poles	DimA&B Tolerance
4P-8P	±0.15
9P-14P	±0.25
15P-20P	±0.35
21P-24P	±0.40

- |              |                     |                 |
|--------------|---------------------|-----------------|
| Solid block  | Color               | RoHS compliant  |
| No. of poles |                     | (lead<4%)       |
| 04 4 poles   | 0 Black (RAL9005)   | In copper Alloy |
| 05 5 poles   | 2 Red (RAL3001/D)   |                 |
| ...          | 3 Orange(RAL2011/P) |                 |
| 24 24 poles  | 4 Yellow(RAL1018/A) |                 |
|              | 5 Green(RAL6018/T)  |                 |
|              | 6 Blue (RAL5015/A)  |                 |
|              | 8 Grey(RAL7035/D)   |                 |
|              | 9 White(RAL1102)    |                 |
|              | C Green(RAL6018/U)  |                 |

mat'l. code		surface ASME Y14.5	tolerance ASME Y14.5	projection	product family
ltr	ecn no	dr	date		TERMINAL BLOCK
tolerances unless otherwise specified				MM	title
angles				MM	TERMINAL BLOCK
X°±1°				scale	RISING CLAMP,90D WIRE INLET,SOLID BLOCK
dr EVIN ZHONG 040914					dwg no
enr EVIN ZHONG 040914					sheet 1 of 1
chr HANKE FENG 040914					size
appd SHI JUN 040914					A4
sheet index	revision	A		type	
	sheet	1		CUSTOMER Drawing	