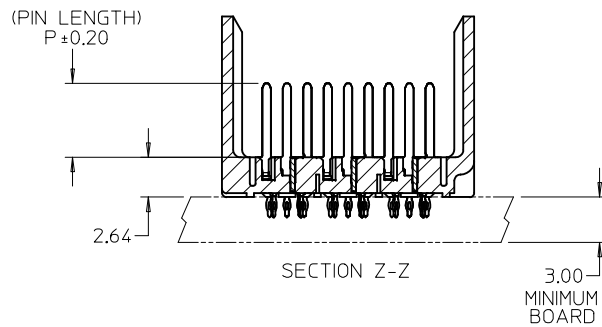
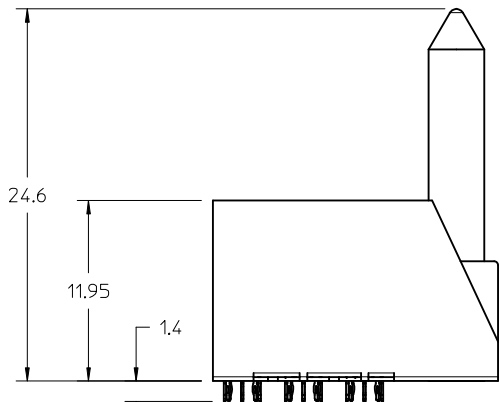
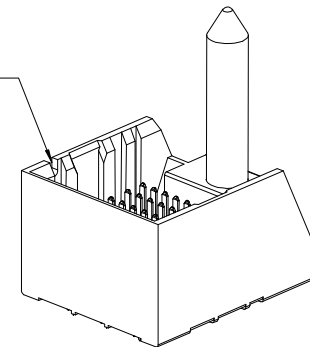


BACKPLANE HOLE PATTERN
(CONNECTOR SIDE)



NOTCH DESIGNATES ROW A



(ENDWALL VERSION SHOWN)

NOTES:

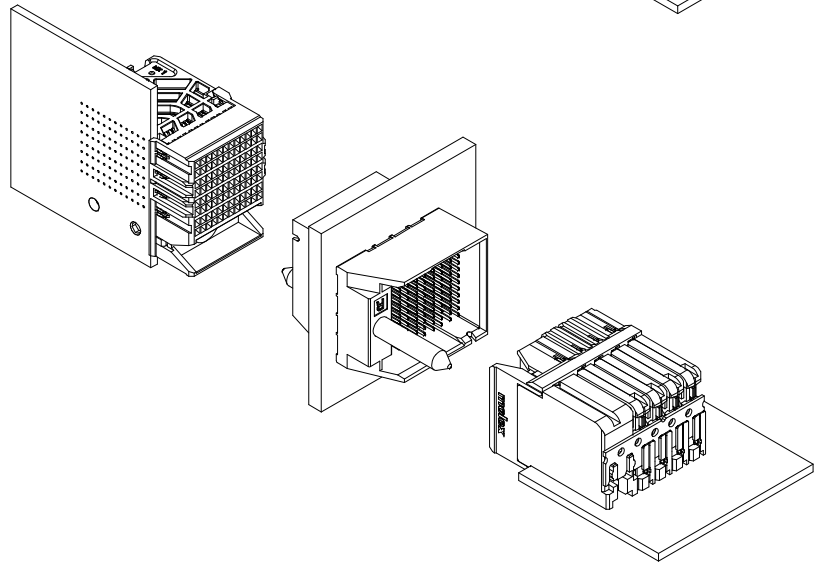
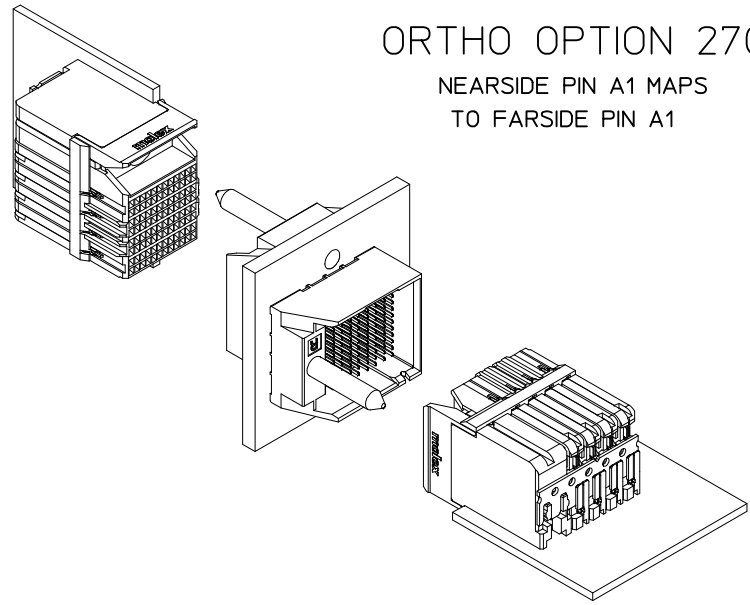
1. MATERIALS: HOUSING - LIQUID CRYSTAL POLYMER (LCP)
GLASS-FILLED, UL94V-0
TERMINALS - HIGH PERFORMANCE COPPER ALLOY
2. FINISH: 30μ MIN GOLD IN CONTACT AREA.
SELECTIVE TIN OR TIN-LEAD ON PCB TAILS.
NICKEL OVERALL.
3. REFER TO MOLEX PRODUCT SPECIFICATION PS-76060-999
FOR PERFORMANCE SPECIFICATIONS AND ADDITIONAL PCB INFORMATION.
4. THIS PART CONFORMS TO CLASS B REQUIREMENTS OF
COSMETIC SPEC PS-45499-002.
5. PRODUCT IS PACKAGED PER PK-70873-763.
6. SEE SHEETS 2 AND 3 FOR PART NUMBERS AND ORTHOGONAL PIN MAPPING.
7. REFER TO MOLEX SALES DRAWING SD-76860-004 FOR THE MATING RECEPTACLES.
8. THE KEEP-OUT ZONE FOR THE PART LENGTH INCLUDES AN ADDITIONAL 1.0mm
TO ACCOMMODATE FOR SPACE REQUIRED BY THE DAUGHTERCARD ASSEMBLY.
9. REFER TO MOLEX ROUTING GUIDE AS-76850-990 FOR ADDITIONAL PCB LAYOUT
AND ROUTING RECOMMENDATIONS.
10. CONNECTORS ARE SUPPLIED WITH A 2-56 UNC-2A SCREW.
11. THESE DIMENSIONS REPRESENT THE AREA NEEDED TO ACCOMMODATE CONNECTOR
INSERTION AND REPAIR ON THE PC BOARD. THIS DOES NOT REPRESENT
THE ACTUAL PERIMETER OF THE CONNECTOR.*

UPDATED VIEWS EC NO: UCP2014-2698 DRAWN: RIZV101 2013/04/01 CHKD: APPR: TELO 2015/03/24	QUALITY SYMBOLS ▽=0 ▽=0 ▽=0	GENERAL TOLERANCES (UNLESS SPECIFIED)		DIMENSION STYLE MM ONLY		SCALE 4:1	DESIGN UNITS METRIC	THIRD ANGLE PROJECTION	
		mm	INCH	DRAWN BY JLAURX	DATE 5/6/09	TITLE IMPACT 3 PAIR HEADER ORTHOGONAL ASSEMBLY GUIDE RIGHT SALES DWG	molex		SHEET NO. 1 OF 3
4 PLACES ± --- ± ---		3 PLACES ± --- ± ---		CHECKED BY JMENDOZA		DATE 2010/01/13		DOCUMENT NO. SD-76855-003	
2 PLACES ± 0.13 ± ---		1 PLACE ± 0.25 ± ---		APPROVED BY JB INGHAM		DATE 2010/01/14		MATERIAL NO.	
0 PLACE ± ±		ANGULAR ±1/2°		SEE CHART		DRAFT WHERE APPLICABLE MUST REMAIN WITHIN DIMENSIONS		THIS DRAWING CONTAINS INFORMATION THAT IS PROPRIETARY TO MOLEX INCORPORATED AND SHOULD NOT BE USED WITHOUT WRITTEN PERMISSION	

ORTHO OPTION 270

NEAR SIDE PIN A1 MAPS TO FAR SIDE PIN A1

MATERIAL NUMBER	# OF COLUMNS	# OF DIFF PAIR	MODULE TYPE	DIM A	DIM B	DIM C
76855-*60*	6	18	NO ENDWALL	18.9	10.00	10.40
76855-*60*	6	18	WITH ENDWALL	20.3	10.00	10.40
76855-*80*	8	24	NO ENDWALL	22.9	14.05	14.45
76855-*80*	8	24	WITH ENDWALL	24.3	14.05	14.45



ORTHO OPTION 90

NEAR SIDE PIN A1 MAPS TO FAR SIDE PIN J6 (FOR SQUARE PATTERN)

76855-*x0*

MODULE & TAIL PLATING TYPE _____ PIN LENGTH (P)

4 = GUIDE RIGHT NO ENDWALL, TIN/LEAD 4 = 4.90 (0.46 PTH)

5 = GUIDE RIGHT NO ENDWALL, TIN 5 = 5.50 (0.46 PTH)

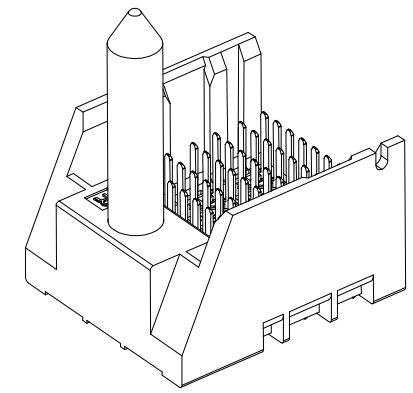
8 = GUIDE RIGHT ENDWALL, TIN/LEAD 7 = 4.90 (0.39 PTH)

9 = GUIDE RIGHT ENDWALL, TIN 8 = 5.50 (0.39 PTH)

OF COLUMNS _____

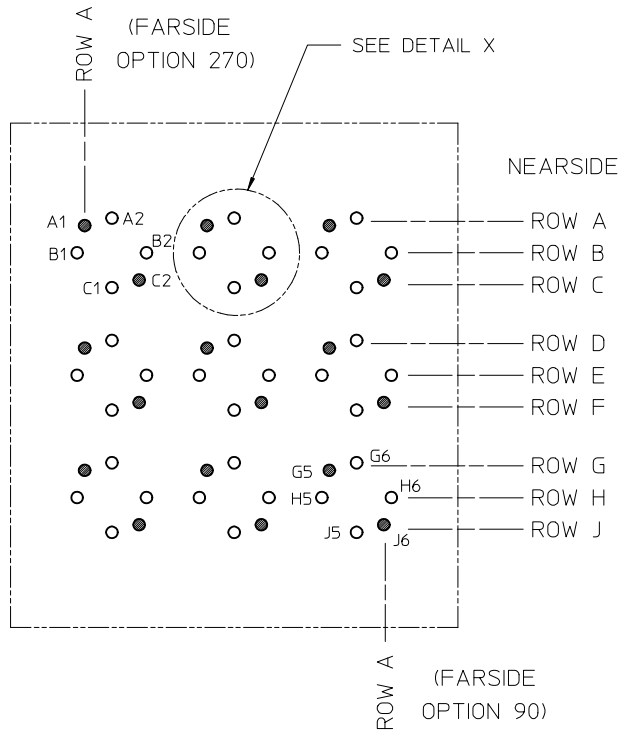
6 = 6 COLUMNS

8 = 8 COLUMNS

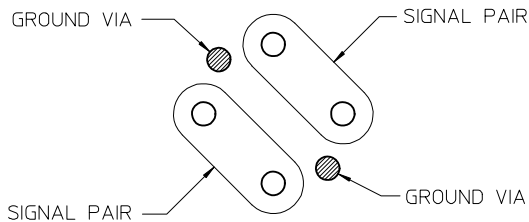


OPEN END WALL

SEE SHEET 1 EC NO: UCP2014-2698 DRW: ARIZ101 2013/04/01 CHKD: APPR: TELO 2015/03/24	QUALITY SYMBOLS	GENERAL TOLERANCES (UNLESS SPECIFIED)		DIMENSION STYLE MM ONLY		SCALE 4:1	DESIGN UNITS METRIC	THIRD ANGLE PROJECTION
	▽=0	mm	INCH	DRAWN BY JLAURX	DATE 5/6/09	TITLE IMPACT 3 PAIR HEADER ORTHOGONAL ASSEMBLY GUIDE RIGHT SALES DWG		
	▽=0	4 PLACES ± ---	± ---	CHECKED BY JMENDOZA	DATE 2010/01/13	DOCUMENT NO. SD-76855-003		
	▽=0	3 PLACES ± ---	± ---	APPROVED BY JB INGHAM	DATE 2010/01/14	SHEET NO. 2 OF 3		
	▽=0	2 PLACES ± 0.13	± ---	MATERIAL NO. SEE CHART		THIS DRAWING CONTAINS INFORMATION THAT IS PROPRIETARY TO MOLEX INCORPORATED AND SHOULD NOT BE USED WITHOUT WRITTEN PERMISSION		
		1 PLACE ± 0.25	± ---	DRAFT WHERE APPLICABLE MUST REMAIN WITHIN DIMENSIONS				
		0 PLACE ±	±					



MIDPLANE PCB LAYOUT



DETAIL X
SCALE 16:1

ORTHO PIN MAPPING					
OPTION 270 (NEARSIDE - FARSIDE)					
(A1-A1)	A2-B1	(A3-D1)	A4-E1	(A5-G1)	A6-H1
B1-A2	B2-C1	B3-D2	B4-F1	B5-G2	B6-J1
C1-B2	(C2-C2)	C3-E2	(C4-F2)	C5-H2	(C6-J2)
(D1-A3)	D2-B3	(D3-D3)	D4-E3	(D5-G3)	D6-H3
E1-A4	E2-C3	E3-D4	E4-F3	E5-G4	E6-J3
F1-B4	(F2-C4)	F3-E4	(F4-F4)	F5-H4	(F6-J4)
(G1-A5)	G2-B5	(G3-D5)	G4-E5	(G5-G5)	G6-H5
H1-A6	H2-C5	H3-D6	H4-F5	H5-G6	H6-J5
J1-B6	(J2-C6)	J3-E6	(J4-F6)	J5-H6	(J6-J6)

ORTHO PIN MAPPING					
OPTION 90 (NEARSIDE - FARSIDE)					
(A1-J6)	A2-H6	(A3-F6)	A4-E6	(A5-C6)	A6-B6
B1-J5	B2-G6	B3-F5	B4-D6	B5-C5	B6-A6
C1-H5	(C2-G5)	C3-E5	(C4-D5)	C5-B5	(C6-A5)
(D1-J4)	D2-H4	(D3-F4)	D4-E4	(D5-C4)	D6-B4
E1-J3	E2-G4	E3-F3	E4-D4	E5-C3	E6-A4
F1-H3	(F2-G3)	F3-E3	(F4-D3)	F5-B3	(F6-A3)
(G1-J2)	G2-H2	(G3-F2)	G4-E2	(G5-C2)	G6-B2
H1-J1	H2-G2	H3-F1	H4-D2	H5-C1	H6-A2
J1-H1	(J2-G1)	J3-E1	(J4-D1)	J5-B1	(J6-A1)

NOTE: PINOUTS SHOWN IN BALLOONS ARE GROUNDS.
PINOUTS SHOWN ARE FOR SQUARE (6 COLUMN) PATTERN ONLY.

SEE SHEET 1 EC NO: UCP2014-2698 DRWNR:RIZV101 2013/04/01 CHKD: APPR:TELO 2015/03/24	QUALITY SYMBOLS	GENERAL TOLERANCES (UNLESS SPECIFIED)	DIMENSION STYLE MM ONLY	SCALE 8:1	DESIGN UNITS METRIC	THIRD ANGLE PROJECTION
	▽=0	mm INCH	DRAWN BY DATE JLAURX 5/6/09	TITLE IMPACT 3 PAIR HEADER ORTHOGONAL ASSEMBLY GUIDE RIGHT SALES DWG		SHEET NO. 3 OF 3
	▽=0	4 PLACES ± --- ± --- 3 PLACES ± --- ± --- 2 PLACES ± 0.13 ± --- 1 PLACE ± 0.25 ± --- 0 PLACE ± ±	CHECKED BY DATE JMENDOZA 2010/01/13	APPROVED BY DATE JB INGHAM 2010/01/14		
	▽=0	ANGULAR ±1/2°	DRAFT WHERE APPLICABLE MUST REMAIN WITHIN DIMENSIONS	MATERIAL NO. SEE CHART	DOCUMENT NO. SD-76855-003	