

4

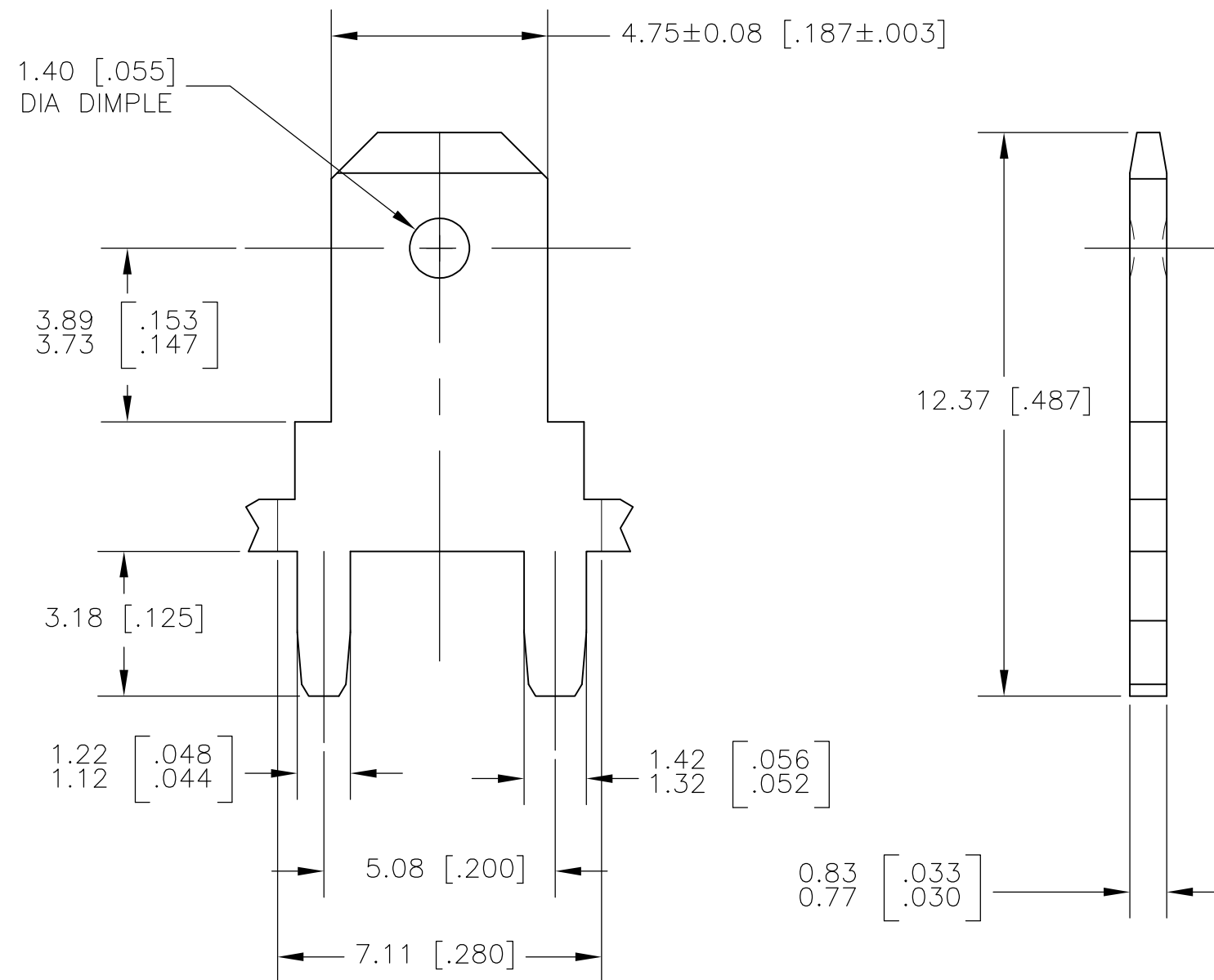
3

2

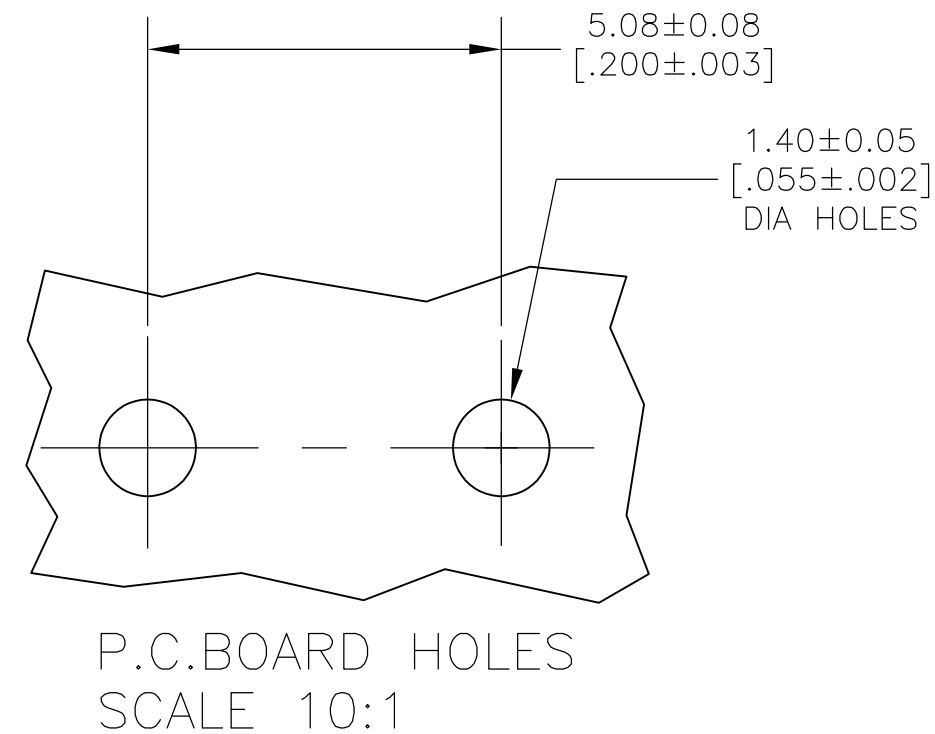
1

THIS DRAWING IS UNPUBLISHED. RELEASED FOR PUBLICATION
 © COPYRIGHT - By - ALL RIGHTS RESERVED.

LOC	DIST	REVISIONS				
P	LTR	DESCRIPTION	DATE	DWN	APVD	
AF	50	D1	REVISED PER ECO-11-004917	11MAR11	RK HMR	



1 CONTINUOUS STRIP ON REELS.
 △ 0.00381 [.000150] MIN TIN OVER
 0.00254 [.000100] MIN THK COPPER.



63525-1
PART NUMBER

THIS DRAWING IS A CONTROLLED DOCUMENT.		DWN	JR RUTH	30NOV00	 TE Connectivity	NAME			
DIMENSIONS: mm[INCHES]		CHK	MS FEHER	30NOV00		TAB, FASTON, PC BOARD, 4.75 [.187] SERIES			
		APVD	G PORTA	30NOV00		SIZE	CAGE CODE	DRAWING NO	RESTRICTED TO
		TOLERANCES UNLESS OTHERWISE SPECIFIED:		PRODUCT SPEC		A3 00779		C-63525	—
MATERIAL		FINISH		WEIGHT	CUSTOMER DRAWING		SCALE	SHEET	REV
082 BRASS		TIN OVER COPPER		—	8:1		1 OF 1	D1	