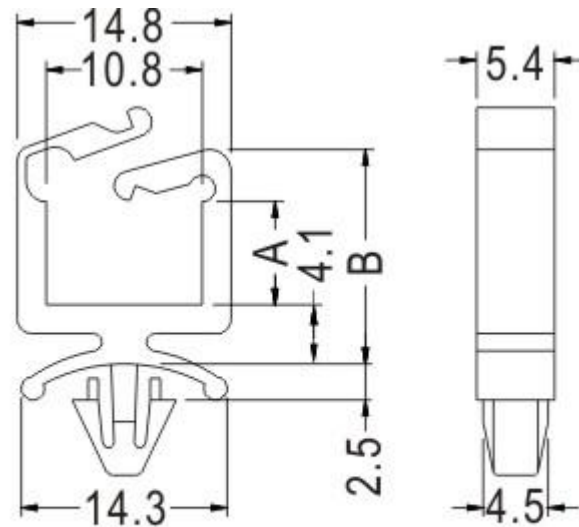


521426000



CHASSIS Ø4.8~Ø5.0
THICKNESS 0.5~2.0

A	B
19.6 mm	27.2 mm

521426000		Material: Nylon 66, UL94 V-2	
MINIATURE CABLE HOLDER		Surface: natural	
		Drawn Mark Wirth 2011-02-14	Last Update Mark Wirth 2011-02-14

Würth Elektronik eiSos GmbH & Co KG
D – 74638 Waldenburg
Max-Eyth-Straße 1
Tel.: 0049 7942-945-0 / Fax: 0049 7942-945-400
www.we-online.de