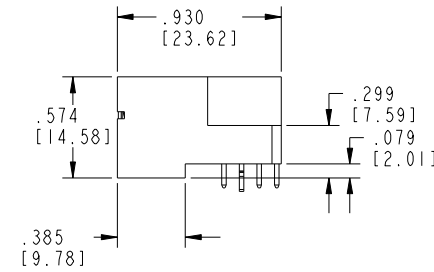
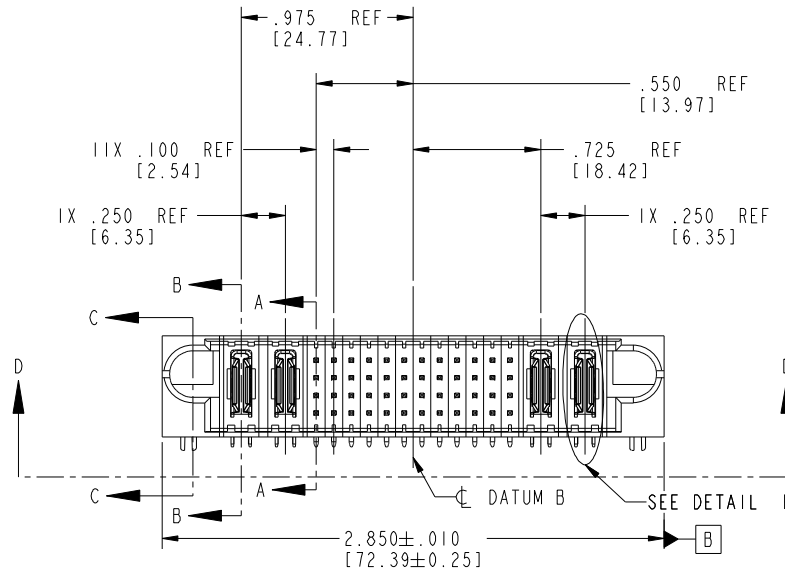


Tous droits strictement réservés. Reproduction ou communication à des tiers interdite sous quelque forme que ce soit sans autorisation écrite du propriétaire. Propriété de c.FCI. Droits de reproduction FCI.



All rights strictly reserved. Reproduction or issue to third parties in any form whatever is not permitted without written authority from the proprietor. Property of FCI. Copyright FCI.

PRODUCT NO.	ROWS	POWER		SIGNAL								POWER								
		E1	P1	P2	1	2	3	4	5	6	7	8	9	10	11	12	P3	P4	E2	
51730-023 Note: (3)	D C B A				H	U	U	U	U	U	U	U	U	U	U	H				
					T	T	T	T	T	T	T	T	T	T	T	T	T			
					S	S	S	S	S	S	S	S	S	S	S	S	S			
					R	R	R	R	R	R	R	R	R	R	R	R				



CODE	DIM "M"	MATING LENGTH	CONTACT TYPE
E	.220	[5.59]	SIGNAL
H	.220	[5.59]	SIGNAL
PA	N/A	[N/A]	POWER
T	.270	[6.86]	SIGNAL
S	.270	[6.86]	SIGNAL
U	.270	[6.86]	SIGNAL
R	.270	[6.86]	SIGNAL
HA	N/A	[N/A]	HOLD-DOWN
H	.270	[6.86]	SIGNAL
E	.270	[6.86]	SIGNAL

mat'l code				SEE NOTE 2		tolerances unless otherwise specified		CUSTOMER		FCI	
ltr	ecn no.	dr	date	linear	.XX±.01/0.X±0.3	projection		COPY		www.fciconnect.com	
A	V11116	CGD	3/26/01	angles	.XXX±.005/0.XXX±0.13	INCH/MM		title		2P + 48S + 2P	
B	V20168	JWS	01-23-02	chr	.XXX±.0020/0.XXX±0.051	scale		product family		PwrBlade	
C	DG04-0053	TAB	09/03/04	appr	0°±2°	1:1		size		213	
D	DG05-0112	GvoJM	05/18/05	engr	J. SHAFFER 01-23-02			dwg no		51730-023	
E	DG05-0397	CS	10/17/05	chr	M. MOSTOLLER 01-23-02			sheet		1 of 4	
F	DG05-0454	CS	11/11/05	chr	M. MOSTOLLER 01-23-02			cage code		22526	
G	DG08-0253	SH	09/16/08	appr	M. MOSTOLLER 01-23-02						
sheet index	revision sheet	G	G	G	G						
		1	2	3	4						

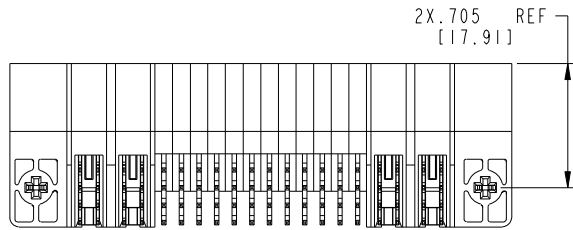
Pro/E

cage code 22526

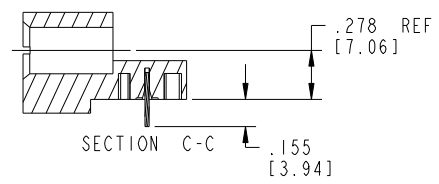
Tous droits strictement reserves. Reproduction ou communication a des tiers interdite sous quelque forme que ce soit sans autorisation ecrite du proprietaire. Propriete de c FCI. Droits de reproduction FCI.

All rights strictly reserved. Reproduction or issue to third parties in any form whatever is not permitted without written authority from the proprietor. Property of FCI. Copyright FCI.

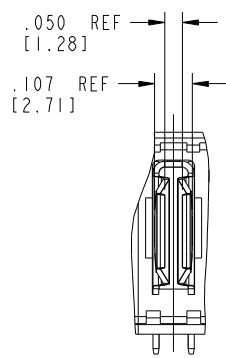
PRODUCT NUMBER
51730-023--
Note: (3)



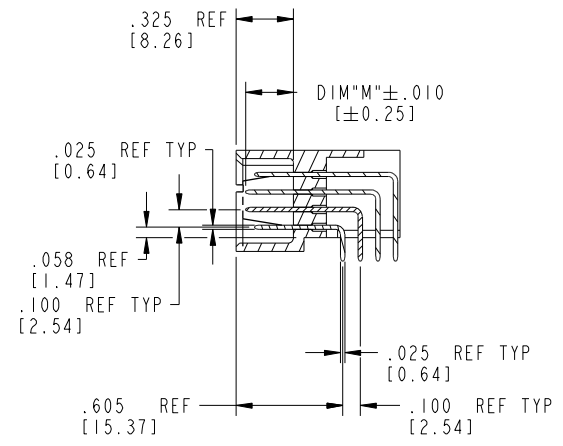
SECTION D-D



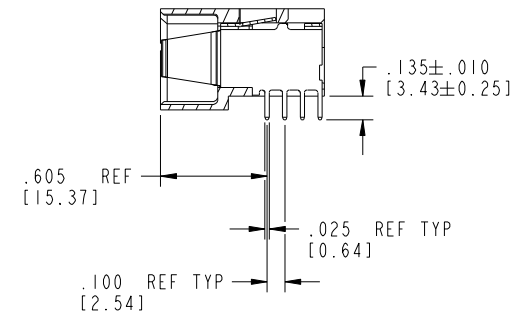
SECTION C-C



DETAIL F
SCALE 2:1



SECTION A-A



SECTION B-B

mat'l code		SEE NOTE 2		tolerances unless otherwise specified		CUSTOMER		FCI	
ltr	ecn no.	dr	date	linear	.XX±.01/0.X±0.3	COPY		www.fciconnect.com	
G				projection	.XXX±.005/0.XX±0.13	projection		title	
				angles	.XXX±.0020/0.XXX±0.051	INCH/MM		2P + 48S + 2P	
				dr	0° ± 2°	scale		RIGHT ANGLE SOLDER HEADER	
				enrg	J. SHAFFER 01-23-02	1:1		product family	
				chr	M. MOSTOLLER 01-23-02	A		PwrBlade	
				appd	M. MOSTOLLER 01-23-02	size		code	
						dwg no		213	
sheet index	revision sheet					51730-023		sheet	
						A		2 of 4	
						cage code			
						22526			

Pro/E

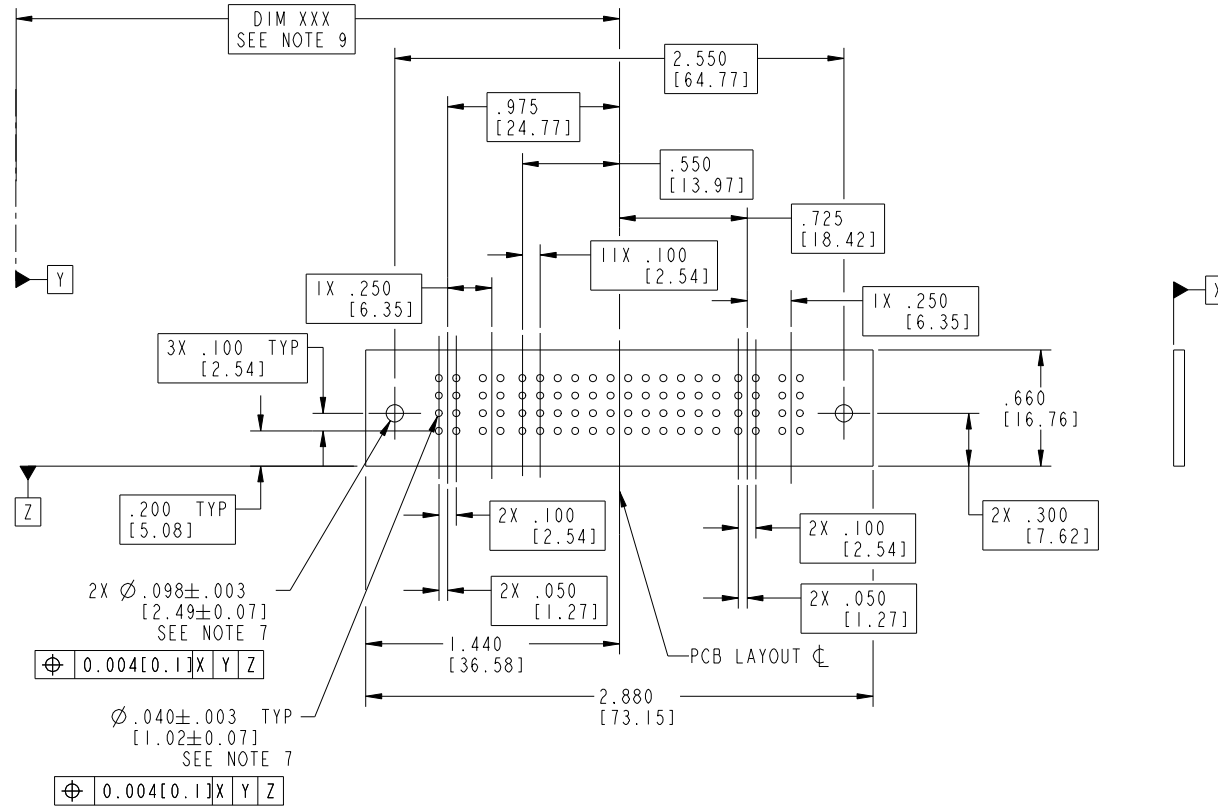
cage code 22526

Tous droits strictement réservés. Reproduction ou communication à des tiers interdite sous quelque forme que ce soit sans autorisation écrite du propriétaire. Propriété de c.FCI. Droits de reproduction FCI.



All rights strictly reserved. Reproduction or issue to third parties in any form whatsoever is not permitted without written authority from the proprietor. Property of FCI. Copyright FCI.

PRODUCT NUMBER
51730-023--
Note: ③



RECOMMENDED PCB LAYOUT

mat'l code				SEE NOTE 2		tolerances unless otherwise specified		CUSTOMER		 www.fciconnect.com	
ltr	ecn no.	dr	date	linear	.XX±.01/0.X±0.3		COPY		title 2P + 48S + 2P RIGHT ANGLE SOLDER HEADER		
6					.XXX±.005/0.XX±0.13		projection				
				angles	.XXX±.0020/0.XXX±0.051		 INCH/MM		product family PwrBlade code 213		
					$0^\circ \pm 2^\circ$		scale 1:1		size dwg no 51730-023 sheet 3 of 4		
				dr	J. SHAFFER	01-23-02					
				enr	M. MOSTOLLER	01-23-02					
				chr	M. MOSTOLLER	01-23-02					
				appd	M. MOSTOLLER	01-23-02					
sheet index	revision sheet										

cage code 22526

Pro/E

Tous droits strictement reserves. Reproduction ou communication a des tiers interdite sous quelque forme que ce soit sans autorisation écrite du propriétaire. Propriete de c FCI. Droits de reproduction FCI.



All rights strictly reserved. Reproduction or issue to third parties in any form whatever is not permitted without written authority from the proprietor. Property of FCI. Copyright FCI.

PRODUCT NUMBER
51730-023--
Note: (3)

NOTES:

1. DIMENSIONS AND TOLERANCES ARE IN ACCORDANCE WITH ASME Y14.5M, 1994 UNLESS OTHERWISE SPECIFIED.

CONNECTORS NOTES:

2. HOUSING MATERIAL: UL 94 V-0 GLASS FILLED HIGH TEMP THERMO PLASTIC
POWER CONTACT MATERIAL: COPPER ALLOY
SIGNAL PIN MATERIAL: COPPER ALLOY

3. PLATING:

SEE ITEM 1 & 2 IN PRINT 10064183 FOR PLATING SPEC OF 51730-023 AND 51730-023LF RESPECTIVELY

4. "MANUFACTURER" NAME, P/N, AND DATE CODE TO APPEAR ON THIS SURFACE.

5. PRODUCT SPECIFICATION GS-12-149.

PCB - NOTES:

6. ALL HOLE DIAMETERS ARE FINISHED HOLE SIZE.

7. HOLD DOWN THROUGH HOLES ARE UNPLATED.

8. $\varnothing .0453 \pm 0.0010$ [1.151 ± 0.025] DRILLED HOLES PLATED WITH 0.0003 [0.008] MIN SnPb OVER .001 [0.03] TO .003 [0.08] Cu PLATING TO ACHIEVE $\varnothing .040 \pm .003$ [1.02 ± .07] HOLE.

9. "DIM XXX" TO BE DETERMINED BY THE CUSTOMER.

10. A \triangle SYMBOL WILL BE NEXT TO ANY DIMENSION, VIEW, OR NOTE WHICH HAS BEEN MODIFIED WITH CURRENT DRAWING VERSION.

mat'l code		SEE NOTE 2		tolerances unless otherwise specified		CUSTOMER		FCI		www.fciconnect.com		
ltr	ecn no.	dr	date	linear	.XX±.01/0.X±0.3	COPY		projection				
G					.XXX±.005/0.XX±0.13	INCH/MM		title 2P + 48S + 2P				
				angles	.XXX±.0020/0.XXX±0.051	1:1		RIGHT ANGLE SOLDER HEADER				
				dr	0° ± 2°	scale		product family PwrBlade		code 213		
				enrg	J. SHAFFER 01-23-02	A		size		sheet 4 of 4		
				chr	M. MOSTOLLER 01-23-02	A		dwg no		51730-023		
				appd	M. MOSTOLLER 01-23-02	A		sheet		4 of 4		
sheet index	revision sheet											

cage code 22526

Pro/E