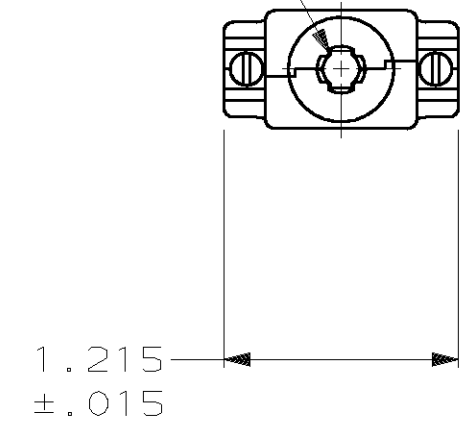


THIS DRAWING IS UNPUBLISHED. RELEASED FOR PUBLICATION
 © COPYRIGHT 19 BY AMP INCORPORATED. ALL INTERNATIONAL RIGHTS RESERVED.

LOC	DIST	P	F	ZONE	LTR	DESCRIPTION	DATE	APPD
BD	0				C	REDRAWN	7/10/90	-
					D	REACTIVATED 1-2 PER EC 0020-0108-93	02/09/93	SB
					E	REV PER EC 0020-309-95	05/04/95	JS
					F	REV PER EC 0020-881-95	25 AUG 95	JS
					G	OBSOLETE -6 PER EC 0020-780-95	06 FEB 96	CS
					H	OBS -12 PER EC 001D-0155-00	02 FEB 01	DK

OPENING FOR CABLE
 (SEE DASH NO. FOR DIA)

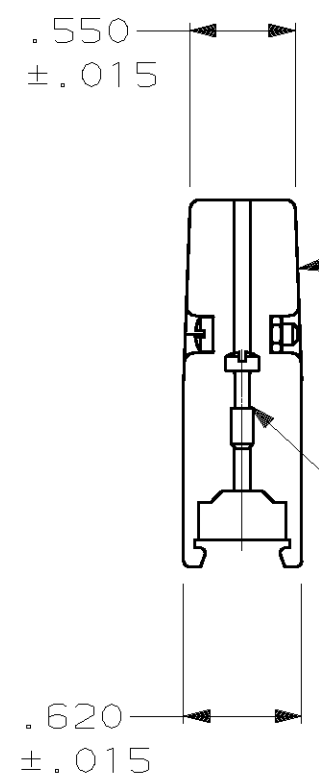
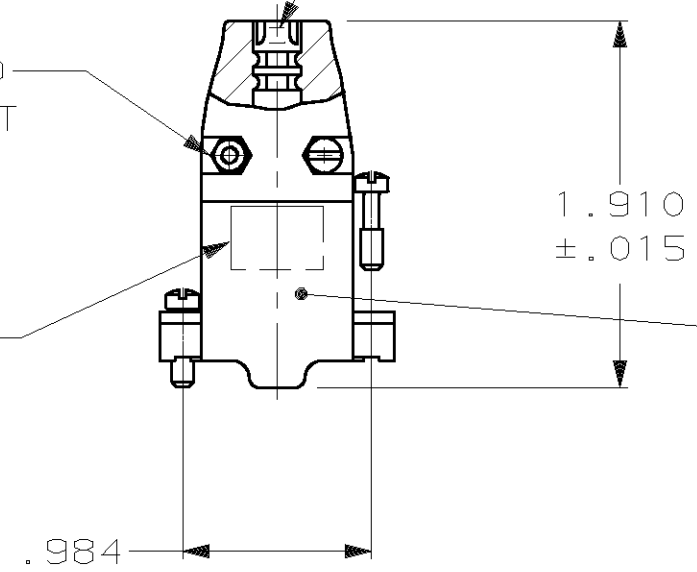


SIZE IDENTIFICATION LETTER
 MOLDED IN APPROX AREA
 SHOWN, SEE TABLE

#4-40 FILLISTER HEAD
 STEEL SCREW & HEX NUT
 ZINC PLATED
 (2 EACH REQUIRED)

AMP LOGO

TEXTURED
 FINISH



CABLE CLAMP (QTY:2)
 MATERIAL: ZINC ALLOY
 PLATED NICKEL OVER
 COPPER

#4-40 FILLISTER HEAD SCREW
 MATERIAL: STEEL, ZINC PLATED
 QUANTITY:2

OBsolete	NECK IDENT	REMARKS	CABLE DIA	PART NO.
OBsolete	1	H -	.370	1-745171-2
OBsolete	-	H (1) SUPPLIED W/O MTG SCREWS	.370	745171-6
-	-	H -	.370	745171-5
-	-	A -	.200	745171-2
-	-	C -	.250	745171-1

1 PARTS INDIVIDUALLY BULK PACKED.

DO NOT SCALE PRINT. UNLESS SPECIFIED DIMENSIONS IN INCHES TOLERANCES ON :	DR 7/10/90 A. STAUB BG	AMP INCORPORATED Harrisburg, Pa. 17105	
2 PLC DEC ± - 3 PLC DEC ± .005 ANGLES ± -	CHK 9-10-90 J McCLINTON		
MATERIAL	APPD 9-11-90 B TAYLOR	NAME	
SEE CALLOUTS	APPD 9-11-90 J. ASSINI	CABLE CLAMP KIT, UNASSEMBLED, SIZE 1, 9 POSN, 180 DEGREES, AMPLIMITE™	
FINISH	APPLICATION SPEC	SIZE	FSCM NO
SEE CALLOUTS	-	C	00779
WEIGHT	-	SCALE	DRAWING NO
-	-	1:1	745171
			SHEET 1 OF 1